



Roadshark International Inc

"ALWAYS ON GUARD"

Installation instructions for HDLP (low profile) ROADSHARK models



Install on level surface whenever possible.

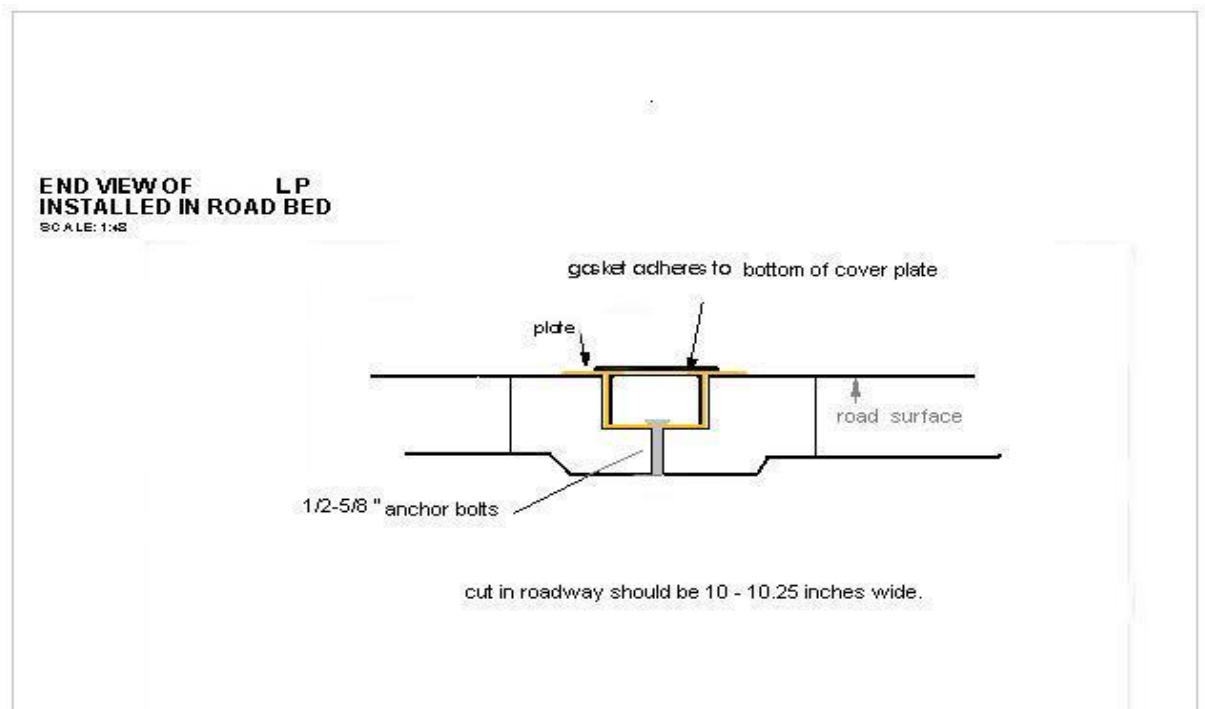
Exact length of HDLP38 model is 38 inches.

Units are 1-2 metres long and are installed end to end.

Limit space between the units to $\frac{1}{4}$ inch if possible.

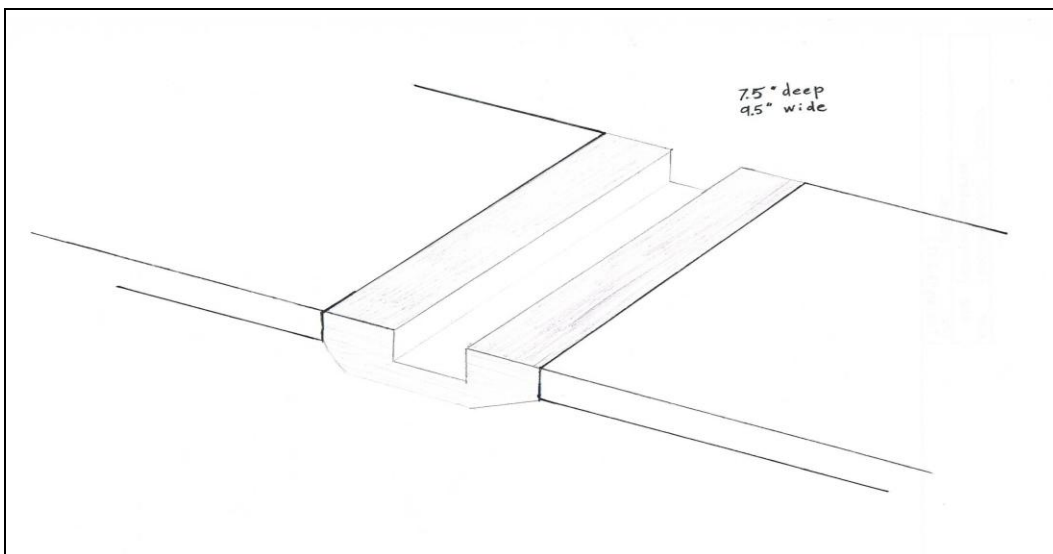
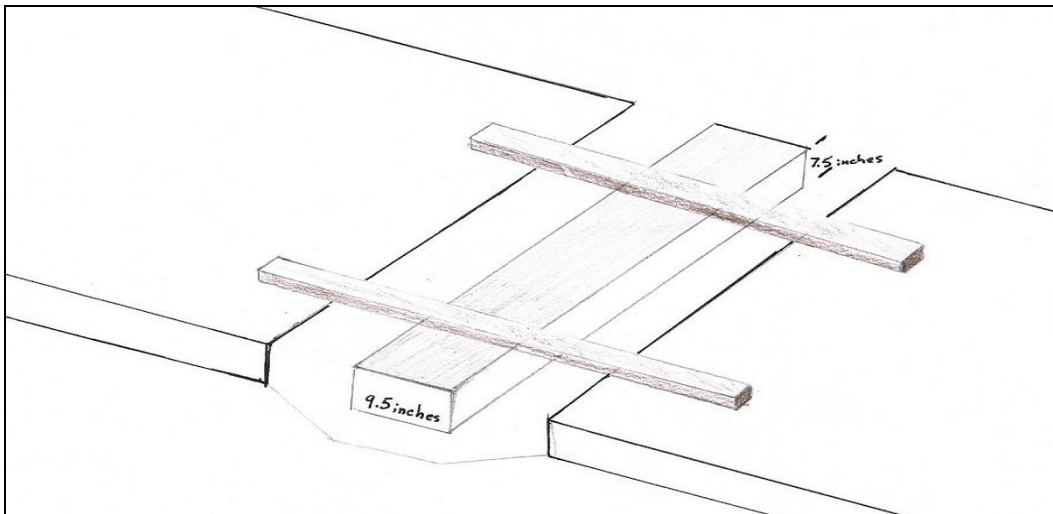
There are 2 methods of installing the Roadshark inground LP barrier.

Method 1. New concrete pad construction (recommended).



1. Excavate to a depth of 18". Refill hole with course gravel to depth of 14" from the top - prepare drain pipe if applicable.
2. Take cover plates off and set the galvanized frame of the units in the excavation in the roadway. Position the frames so that the top of the frame is flush with the remaining roadway.

The installation site can be prepared prior to receiving delivery of Roadshark barriers. Using a void form, (10 inches wide and 7 ½ inches depth) you can prepare the concrete site prior to receiving delivery of the Roadshark equipment.





1. Once the LP unit is in position, use the holes in the frame of the LP unit as a template and drill holes into the roadway ($1/2''$ diameter), to a depth of 5 inches.
2. When the $3/8''$ coverplate is attached, it will rest on the top of the galvanized frame of the unit.) * The top of the coverplate will be $3/8''$ above road surface to prevent water/rain from flowing into the barrier unit.
3. Using the $1/2''$ steel anchor bolts provided, fasten the galvanized or powdercoated frame. Do not over tighten the bolts.



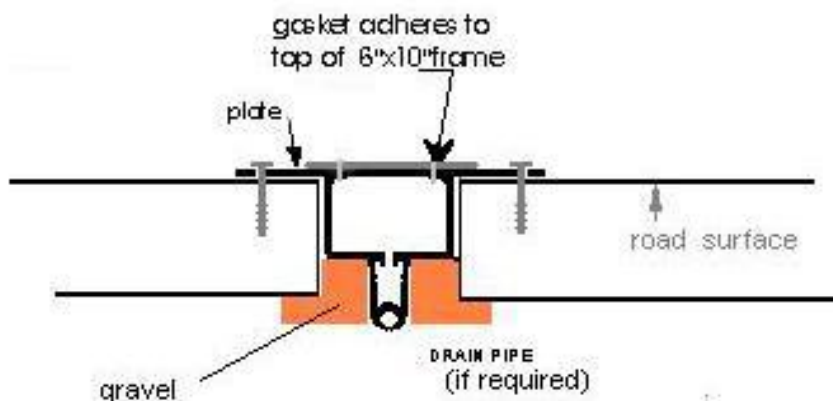
If the road surface is uneven, a layer of silicone/mortar may be applied to the area under the edges of the galvanized frame prior to the frame being tightened down to the roadway(to prevent vibration).

Method 2. Cut into existing roadway.

1. Using a concrete saw, make 2 cuts in roadway, 10 inches apart.
(Lengths of cuts will depend on number of LP units being installed.)

Example: 6 - HDLP38 units would require an excavation of 19 ft, (6x 38inches) length, 10 " inches wide.

2. Excavate to a depth of 12 inches. Refill hole with course gravel to depth of 7 1/2 inches from the top (gravel for drainage) and/or prepare drain pipe.
3. -Set the galvanized frame of the units into the excavation in the roadway. (When the 3/8" coverplate is attached, it will rest on the top of the galvanized frame of the unit.) The top of the coverplate should be 3/8" above road surface to prevent water/rain from flowing into the barrier unit.
4. Attaching galvanized frame to road surface See diagram #5 below



cut in roadway should be 10 - 10.25 inches wide.
backfill with gravel leaving top 6 inches open

- a) -Once the LP unit is in position, use the holes in the frame of the LP unit as a template and drill holes into the roadway (1/2" diameter).
- b) -Drill the holes to a depth of 5".
- c) -Using the 1/2" steel anchor bolts provided , fasten the galvanized/powdercoated frame. Do not over tighten the bolts.



If the road surface is uneven, a layer of silicone/mortar may be applied to the area under the edges of the galvanized frame prior to the frame being tightened down to the roadway(to prevent vibration).

Anchoring bolts should be checked periodically and tightened if necessary.

If you encounter any problems, contact Roadshark at 204-782-9407.

Roadshark International Inc
245 Foch Ave
Winnipeg, CANADA
R2C 5H9

.....
ph: 204-782-9407
fax: 204-224-1217
email: team@roadshark.com
website: www.roadshark.com

